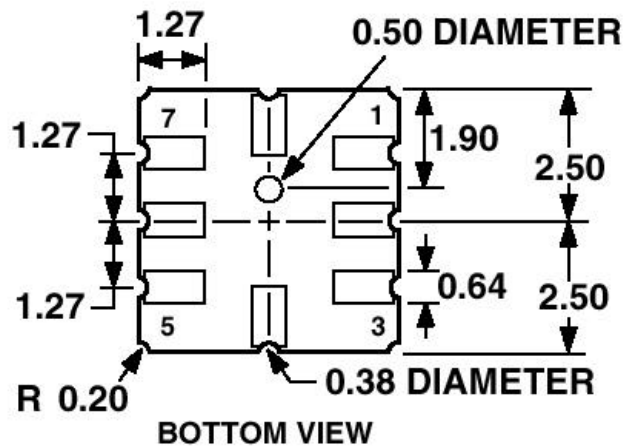
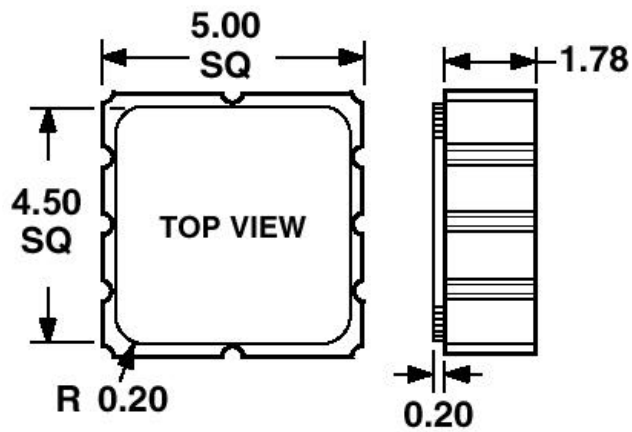


8-Pin Ceramic Leadless Chip Carrier (CLCC/LCC) Package Dimension Top and Bottom View



All dimensions in millimeters (mm)