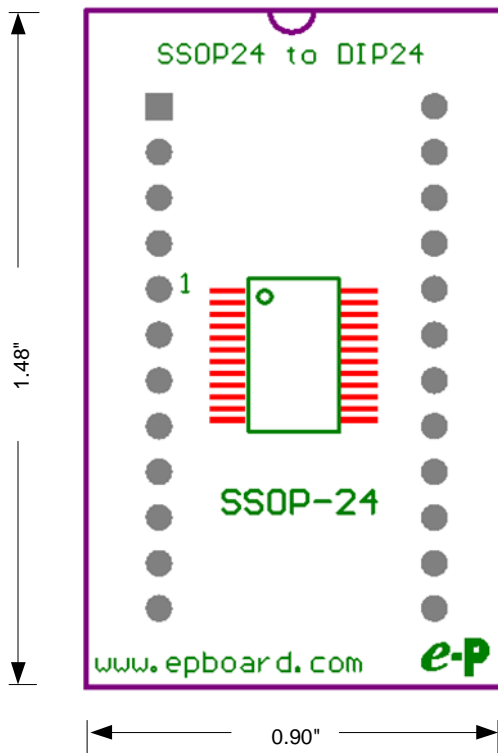
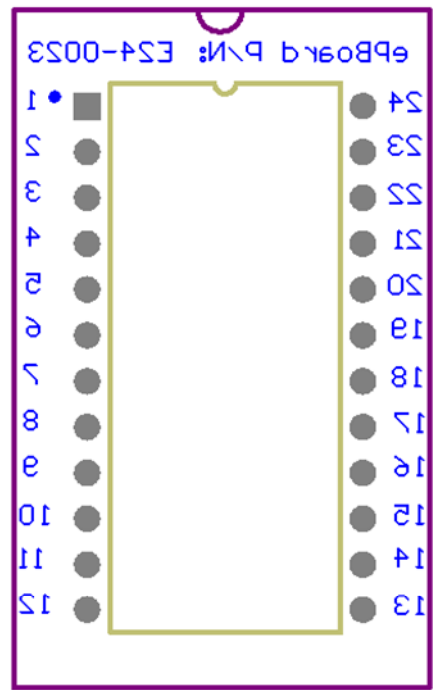


**Top Side**



**Bottom Side**



**Top View X-Ray**