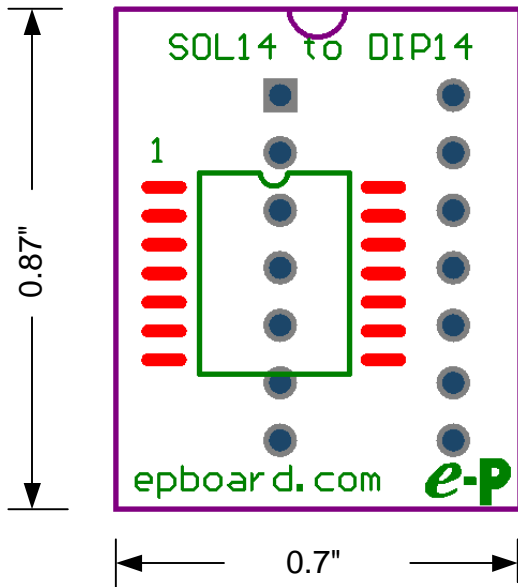


Top Side



Bottom Side (Top View X-Ray)

