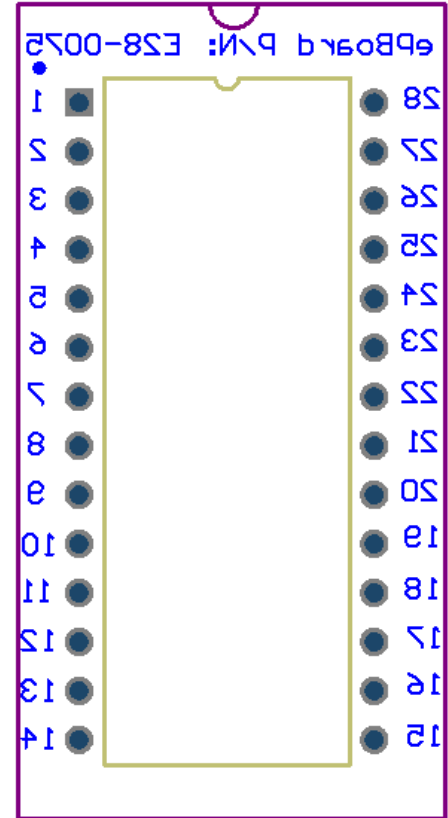
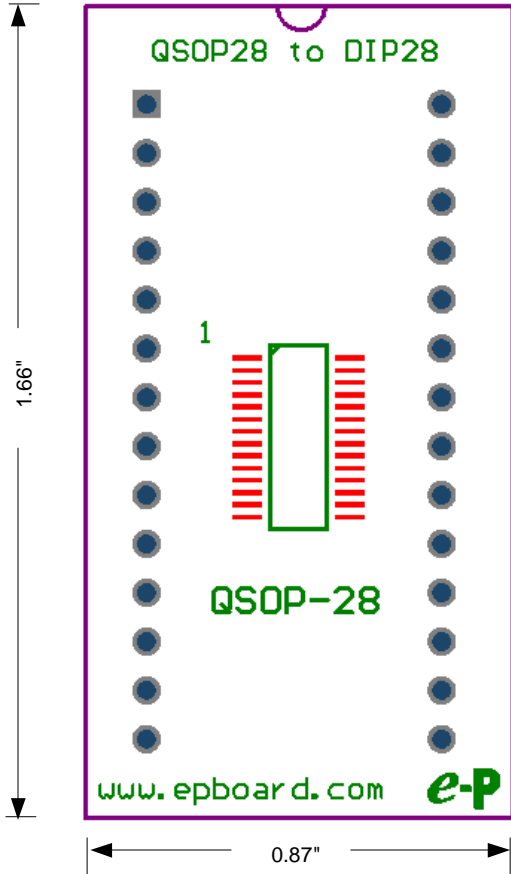


Top Side

Bottom Side



Top View X-Ray