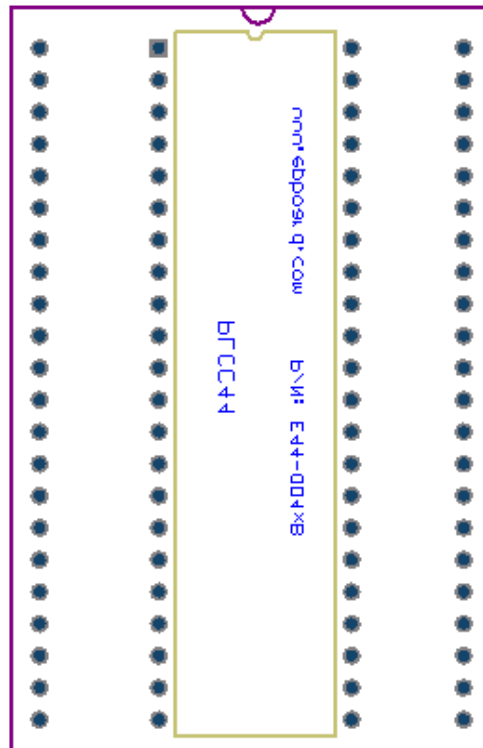
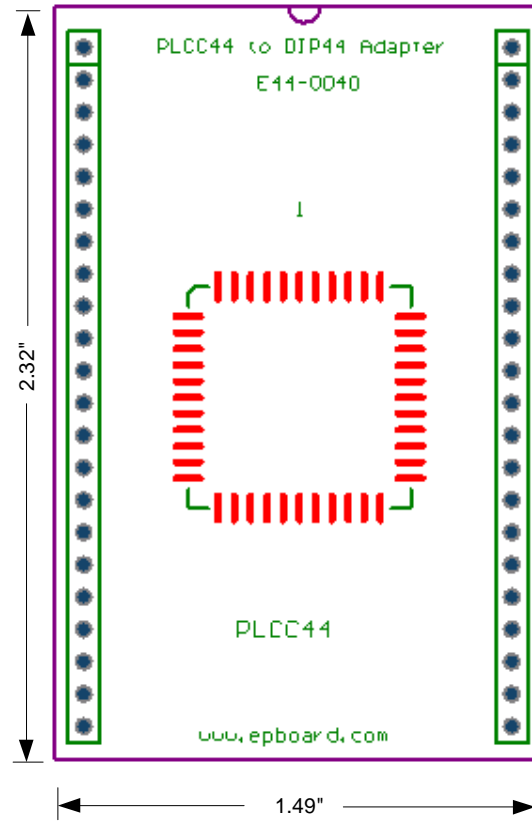


**Top Side**



**Bottom Side (Top View X-Ray)**