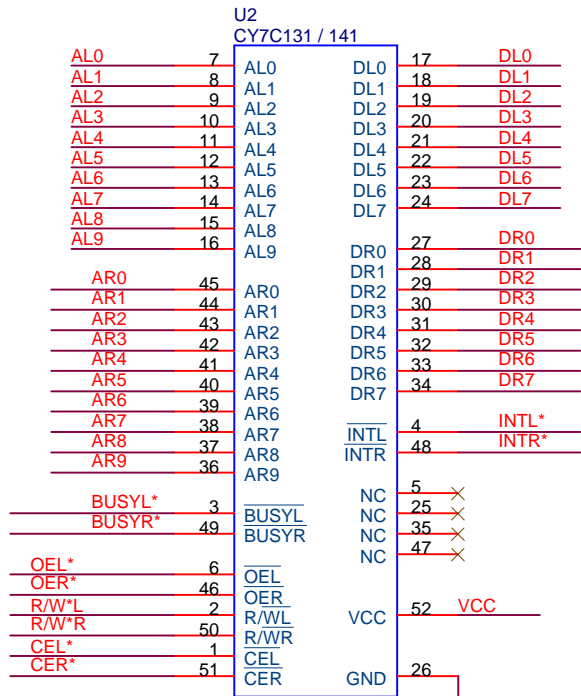


Bottom Output



Top PLCC Socket

eP Board Design

Title		
CY7C131/141 (PLCC-52) to CY7C130/140 (DIP-48)		
Size	Document Number	Rev
A	E52-0502	1.0
Date: Sunday, September 28, 2003		
Sheet 1 of 1		