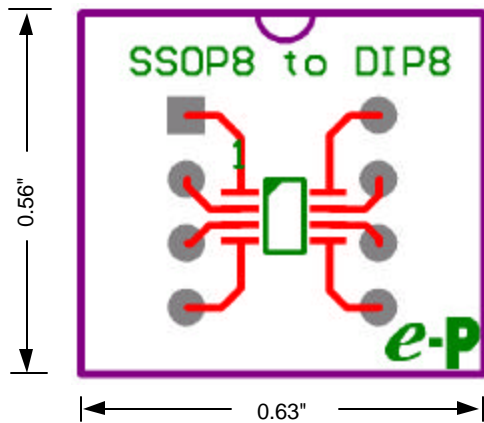


Top Side



SSOP-8 Footprint

