

CCM05 Combo (2, 3, 4 in 1)



You need to put more active functions on your PCB? Marketing is chasing you for a cool new feature? Manufacturing wants you to save money? Use a combo connector; combine up to 4 cards in the same slot.

Features

- Different cards in the same component in one slot
- Front metal tab for better PCB tear-off resistance
- Front cover retention for temper resistant card entrance
- Card detect and write protect switches
- SMT mount devices
- Easy operation by manual insertion/ extraction

Physical Data

Contacts	Copper alloy
Contact finish (towards the card)	Gold over nickel
Contact finish (towards the PCB)	Tin / lead over nickel
Metal cover	Copper alloy (nickel plated overall)
Cover ground tails	Gold over nickel
Molding	High temp. Thermoplastic, UL 94V-0

Mechanical Data

Operating life standard & push type	≥ 5,000 cycles
Contact force (signal contact)	0.20 N min.
Card insertion force	40 N max.
Card withdrawal force	1,5 N min.
Vibration	According to IEC 512 part 4, test 6d. 10 to 500 Hz / 50m/s ² / 3 axis / 2 hours per axis No discontinuity > 1 μs
Mechanical shock	Peak value 500 m/s ² 11ms. 3 shock in each direction of each axis. No electrical discontinuity 1 μs.

Contact Electrical Data

Voltage / ct	≤ 5 Vdc
Current / ct	≤ 500 mA
Contact resistance	≤ 40 mΩ
Voltage proof	≥ 500 Vrms
Insulation resistance	100 MΩ min

Environmental Data

Operating temperature	-20°C / +60°C
Storage temperature	-40°C / +85°C
Soldering temperature	230°C / 5 sec according to MIL-STD-202F, method 208
Corrosion	48 hours according to IEC 512 test 11f

Ordering Code

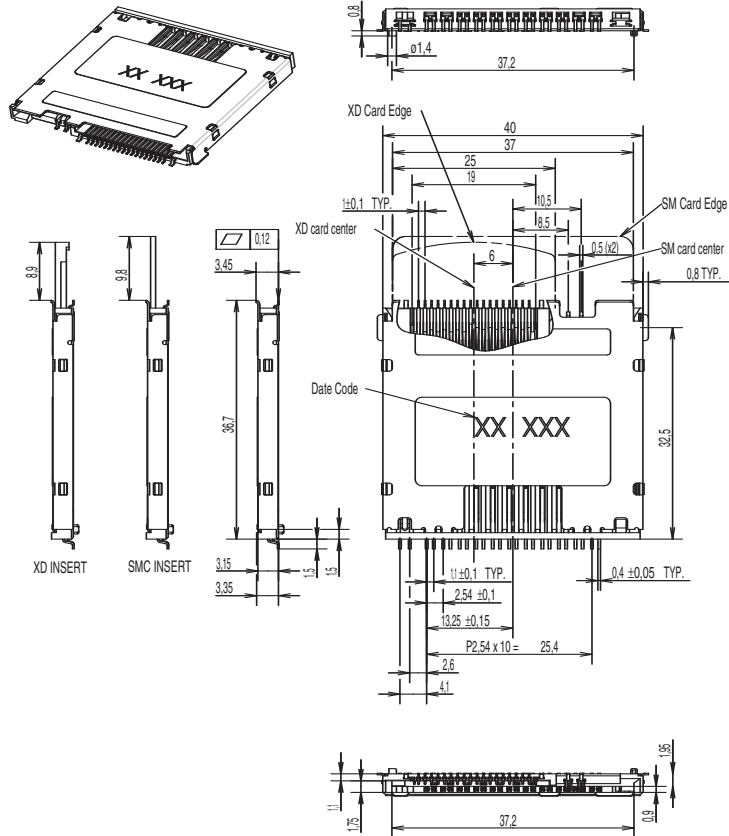
CCM05-5783 T50	2 in 1 Smart Media / xD
CCM05-5784 T45	2 in 1 miniSD / Memory Stick Duo
CCM05-5785 T40	3 in 1 MMC / SD / Memory Stick
CCM05-5786 T32	4 in 1 MMC / SD / Memory Stick / xD
CCM05-5787 T20	4 in 1 MMC / SD / Memory Stick / Smart Media

Packaging

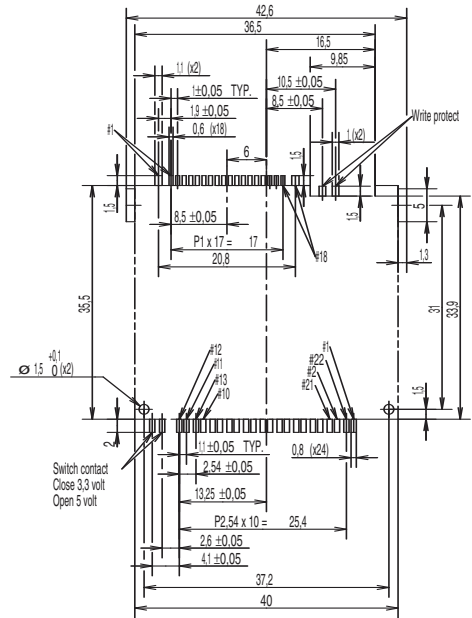
Tray packaging.

CCM05 Combo (2, 3, 4 in 1)

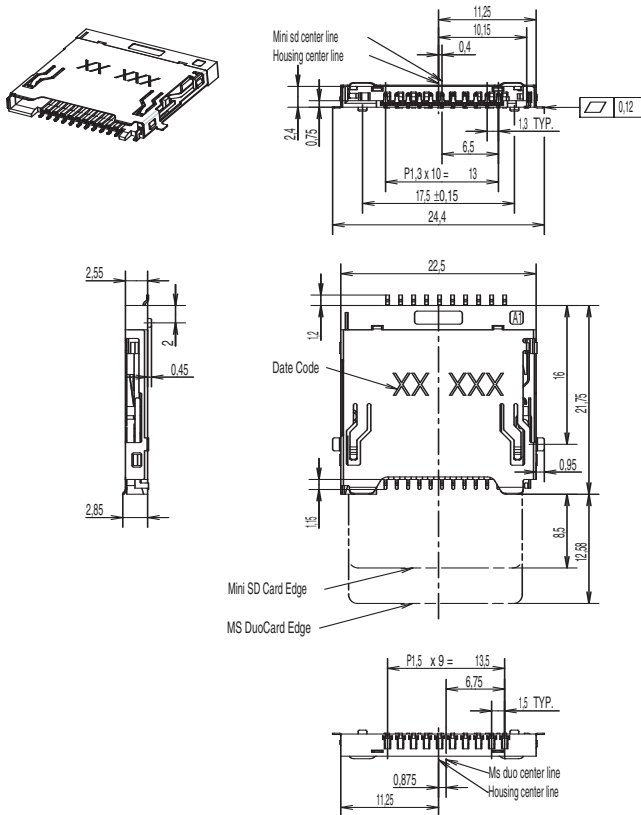
CCM05-5783 2 in 1 (Smart Media / xD)



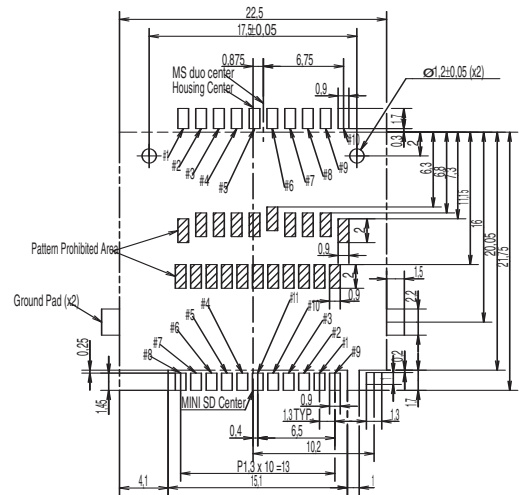
RECOMMENDED PC BOARD LAYOUT
(Component side)



CCM05-5784 2 in 1 miniSD / Memory Stick Duo

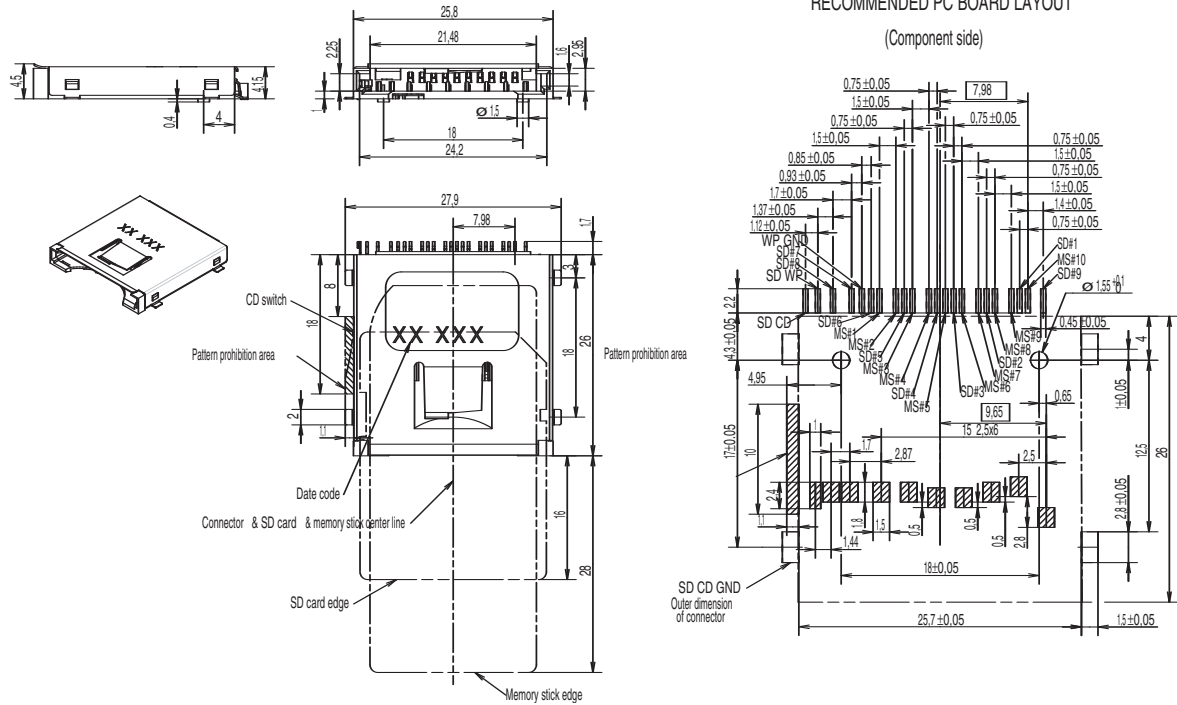


RECOMMENDED PC BOARD LAYOUT
(Component side)

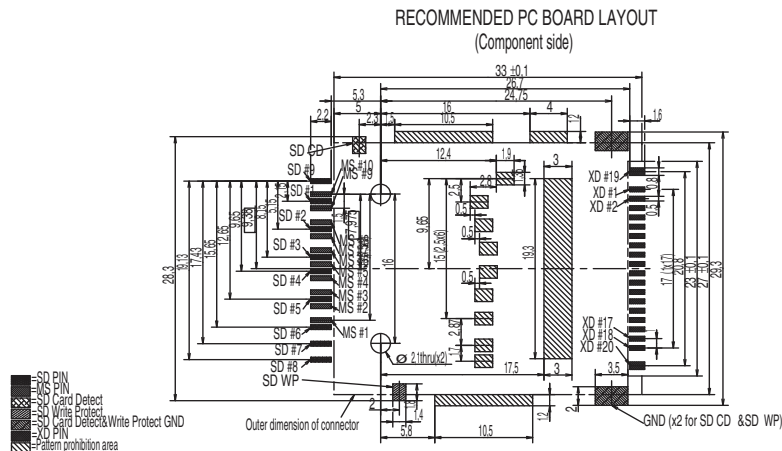
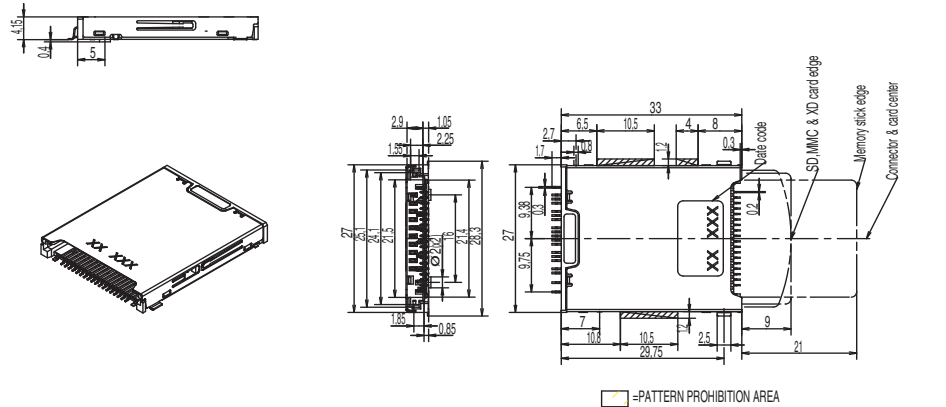


Dimensions are shown in mm
Specifications and dimensions subject to change

CCM05-5785 3 in 1 (MMC / SD / Memory Stick)



CCM05-5786 4 in 1 (MMC / SD / Memory Stick / xD)



Dimensions are shown in mm
Specifications and dimensions subject to change

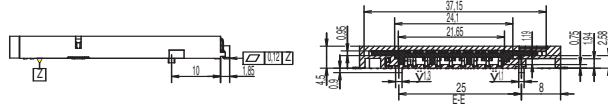
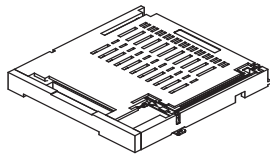
www.ittcannon.com

Cannon

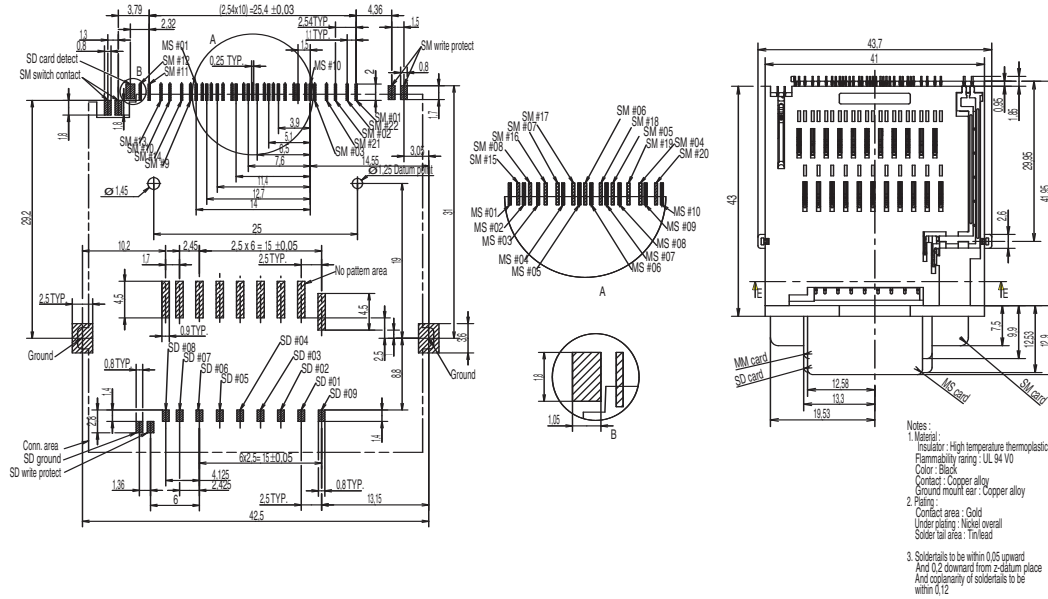
 **ITT Industries**
Engineered for life

CCM05 Combo (2, 3, 4 in 1)

CCM05-5787 4 in 1 (MMC / SD / Memory Stick / Smart Media)



RECOMMENDED PC BOARD LAYOUT
(Component side)



To learn more about our CCM05 Combo product line, please visit www.ittcannon.com

Customer Support Locations

France: +33.(0) 1.60.24.51.51
UK: +44.1256.311850

Germany: +49 (30) 43.9990
USA: 800.635.5936

Hong Kong: +852.2732.2720