

CCM05 xD

(xD-Picture Card™ Connector)

For the latest standard in digital imaging, we propose an ultra small header to optimize your PCB layout

Features

- Compact design
- Rear metal tab for better PCB tear-off resistance
- Front cover retention for temper resistant card entrance
- Card withholding finger
- Hot insertion sequencing managed by contacts location
- Card detect function done by double contact on location 1 and 18

Physical Data

Contacts	Copper alloy
Contact finish (towards the card)	Gold plated over nickel
Contact finish (towards the PCB)	Tin / lead over nickel
Metal cover	Copper alloy (nickel plated overall)
Cover ground tails	Gold plated over nickel
Molding	High temp. Thermoplastic, UL 94V-0

Mechanical Data

Number of contacts	18
Operating life	≥ 10,000 cycles
Contact force (signal contact)	0.20 N min.
Card insertion force	10 N max.
Card withdrawal force	2 N min.
Vibration	According to IEC 512 part 4, test 6d. 10 to 500 Hz / 50m/s ² / 3 axis / 2 hours per axis No discontinuity > 1 μs
Mechanical shock	Peak value 500 m/s ² 11ms. 3 shock in each direction of each axis. No electrical discontinuity 1 μs.

Contact Electrical Data

Voltage / ct	≤ 5 Vdc
Current / ct	≤ 500 mA
Contact resistance	≤ 100 mΩ
Voltage proof	≥ 250 Vrms
Insulation resistance	1000 MΩ min

Environmental Data

Operating temperature	-20°C / +85°C
Storage temperature	-40°C / +85°C
Soldering temperature	230°C / 5 sec according to MIL-STD-202F, method 208
Moisture resistance	40°C / 93% HR / 96 hours. According to MIL-STD-202F, method 103B, test condition B
Corrosion	48 hours according to IEC 512 test 11f

Ordering Code

CCM05-5782 T50	xD card connector
----------------	-------------------

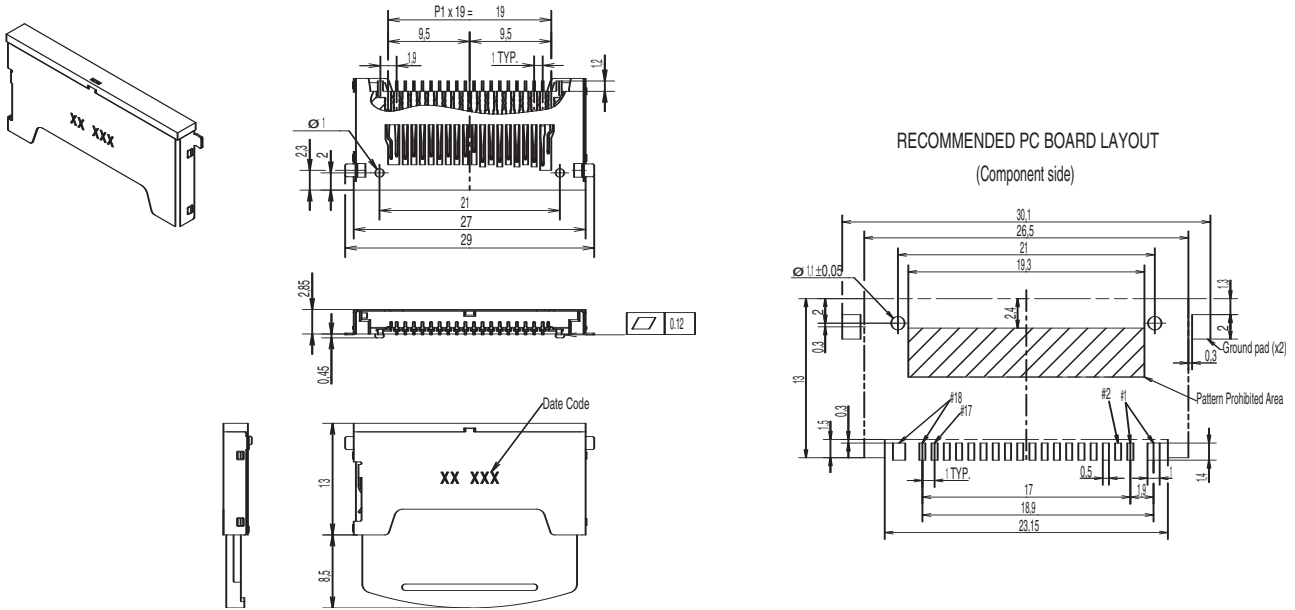
Packaging

50 pieces per tray, 1000 pieces per carton box

xD-Picture Card is a trademark of Fujifilm, Olympus and Toshiba.

CCM05 xD (xD-Picture Card™ Connector)

CCM05-5782



To learn more about our CCM05 xD product line, please visit www.ittcannon.com

Customer Support Locations

France: +33.(0) 1.60.24.51.51
UK: +44.1256.311850

Germany: +49 (30) 43.9990
USA: 800.635.5936

Hong Kong: +852.2732.2720

Dimensions are shown in mm
Specifications and dimensions subject to change

www.ittcannon.com

Cannon



ITT Industries
Engineered for life