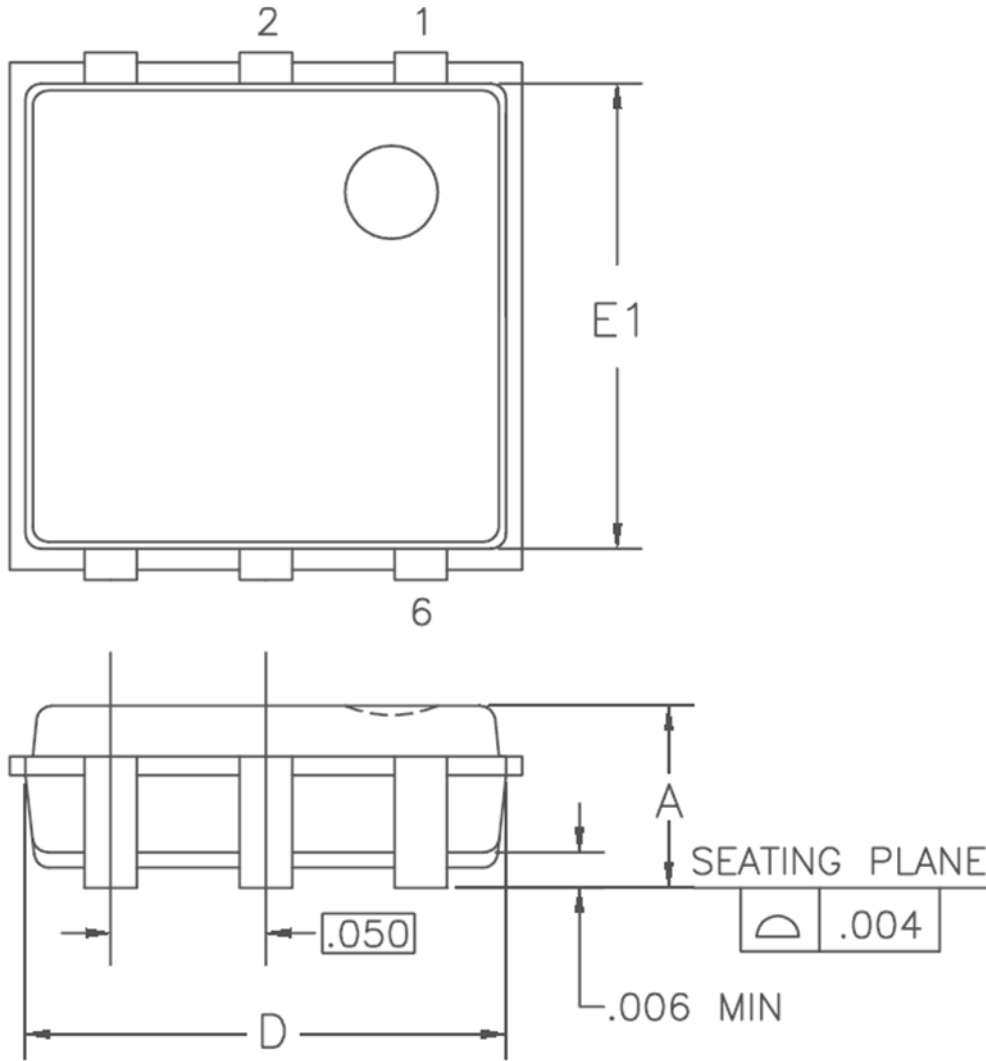


TSOC-6

MECHANICAL DATA



SYMBOL	DIMENSIONS INCHES			NOTE
	MIN.	NOM.	MAX.	
A	.051	.055	.059	
B	.016	.017	.019	3
C	.005	.006	.008	
D	.153	.155	.157	2
E	.163	.169	.175	
E1	.144	.150	.152	2
L	.025	.032	.039	