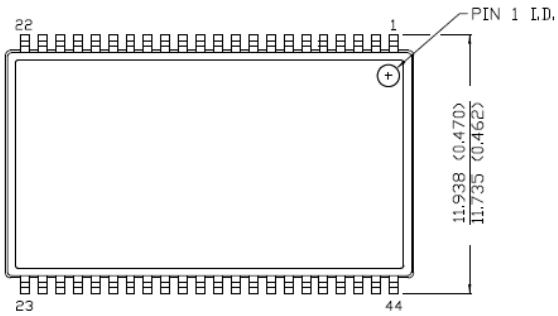
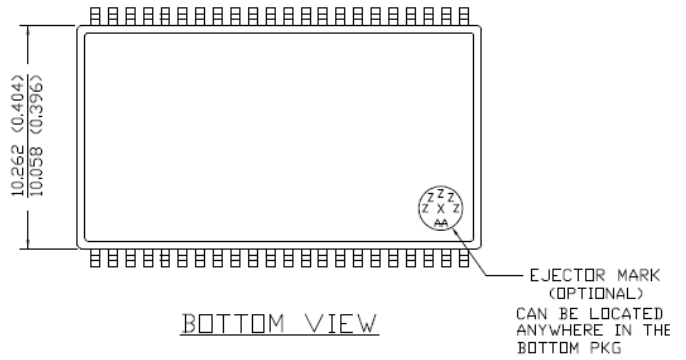


# Package Diagram

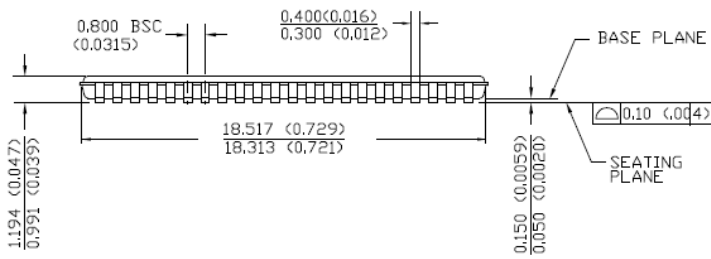
# 44-pin TSOP II



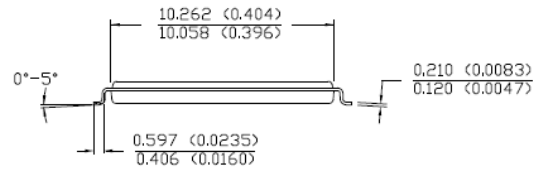
TOP VIEW



BOTTOM VIEW



DIMENSION IN MM (INCH)  
MAX  
MIN.



51-85087 °C